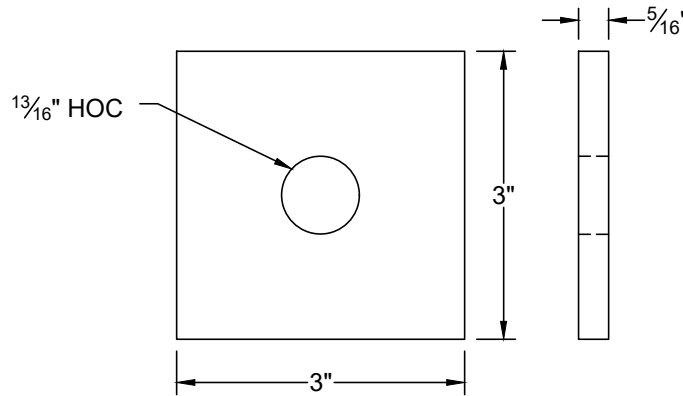
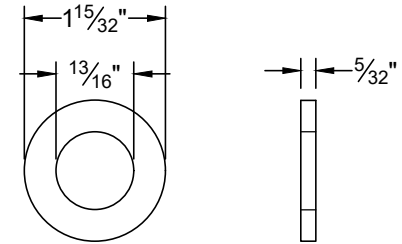


THREADED ROD
 ASTM F1554 GRADE 55
 GALV. PER ASTM F2329 AND A153

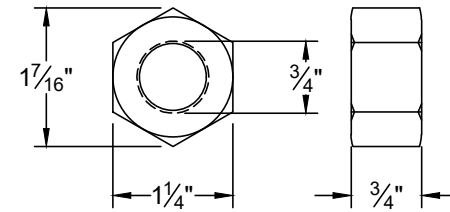
LPB INSTALLATION BILL OF MATERIALS (QUANTITY REQ'D PER LPB)
(4) THREADED RODS
(4) BEARING WASHERS
(12) HEAVY HEX NUTS
(8) HARDENED FLAT WASHERS



BEARING WASHER
 ASTM A36
 GALV. PER ASTM F2329 AND A153



HARDENED FLAT WASHER
 ASTM F436
 GALV. PER ASTM F2329 AND A153



HEAVY HEX NUT
 ASTM A194 GRADE 2H
 GALV. PER ASTM F2329 AND A153

© Copyright 2019 ReCon Wall Systems, Inc. All Rights Reserved

Disclaimer: This drawing has been prepared by ReCon Wall Systems, Inc. and to the best of its knowledge, accurately represents the product use in the application that it is illustrated. This drawing is intended for conceptual purposes only. Anyone making use of this drawing does so at their own risk and assumes all liability for such use. Final design for construction purposes must be completed by a Registered Professional Engineer who is familiar with the product and who has taken into account specific site conditions.



DRAWING #5004

**LPB
 INSTALLATION HARDWARE**

RECON WALL SYSTEMS, INC.
 7600 W. 27th STREET, #229
 ST. LOUIS PARK, MN 55426
 952-922-0027
 www.lightpolebase.com