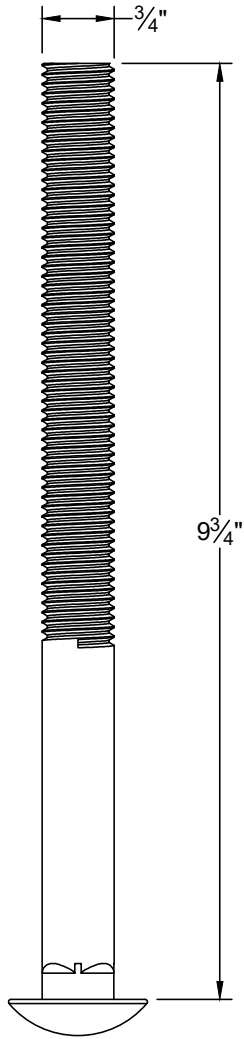
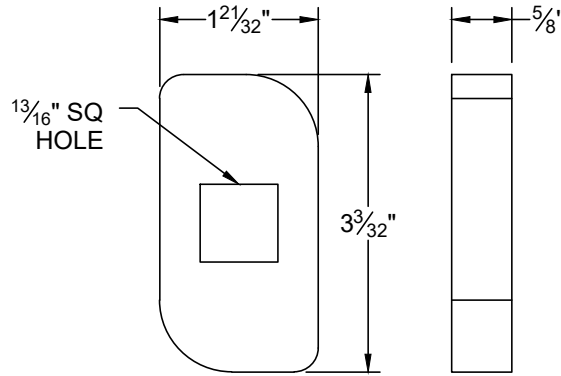


**LPB INSTALLATION BILL  
OF MATERIALS  
(QUANTITY REQ'D PER LPB)**

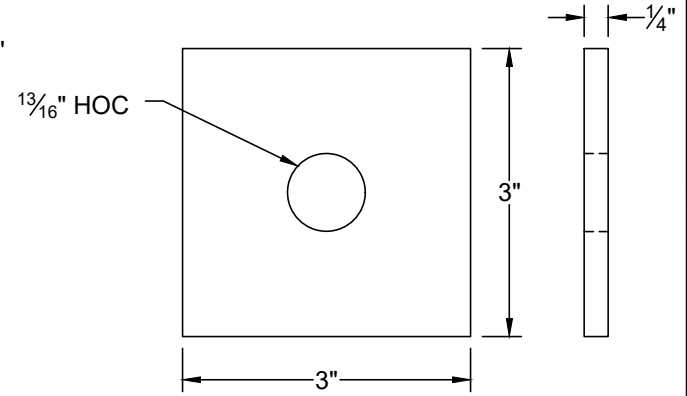
- (4) CARRIAGE BOLTS
- (4) ANCHOR PLATES
- (4) BEARING WASHERS
- (12) HEAVY HEX NUTS
- (8) HARDENED FLAT WASHERS



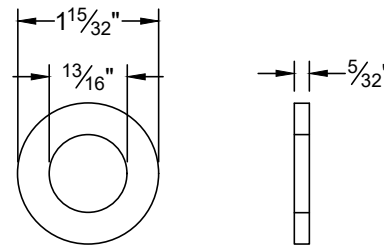
**CARRIAGE BOLT**  
ASTM F1554 GRADE 55  
GALV. PER ASTM F2329 AND A153



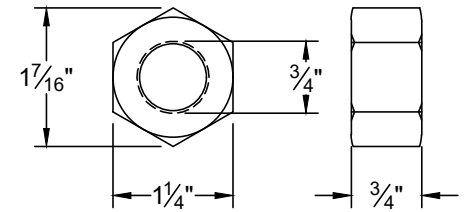
**ANCHOR PLATE**  
ASTM A514



**BEARING WASHER**  
ASTM A36  
GALV. PER ASTM F2329 AND A153



**HARDENED FLAT WASHER**  
ASTM F436  
GALV. PER ASTM F2329 AND A153



**HEAVY HEX NUT**  
ASTM A194 GRADE 2H  
GALV. PER ASTM F2329 AND A153

© Copyright 2023 ReCon Wall Systems, Inc. All Rights Reserved

Disclaimer: This drawing has been prepared by ReCon Wall Systems, Inc. and to the best of its knowledge, accurately represents the product use in the application that it is illustrated. This drawing is intended for conceptual purposes only. Anyone making use of this drawing does so at their own risk and assumes all liability for such use. Final design for construction purposes must be completed by a Registered Professional Engineer who is familiar with the product and who has taken into account specific site conditions.



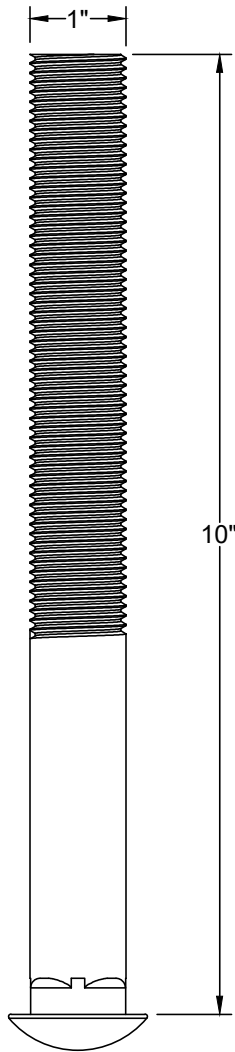
**DRAWING #5015**

**3/4" LPB  
INSTALLATION HARDWARE**

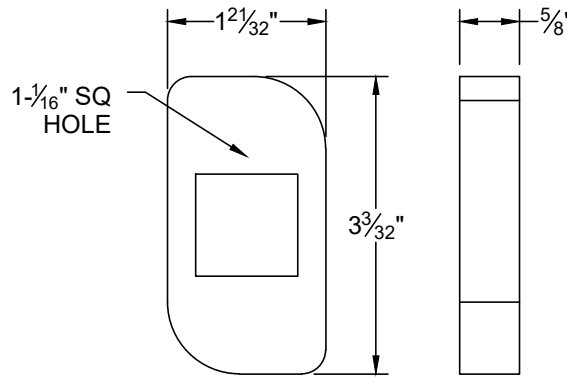
LPB - A DIVISION OF RECON  
11521 EAGLE ST NW, SUITE 3  
COON RAPIDS, MN 55448  
612.440.4764  
www.lightpolebase.com

**LPB INSTALLATION BILL  
OF MATERIALS  
(QUANTITY REQ'D PER LPB)**

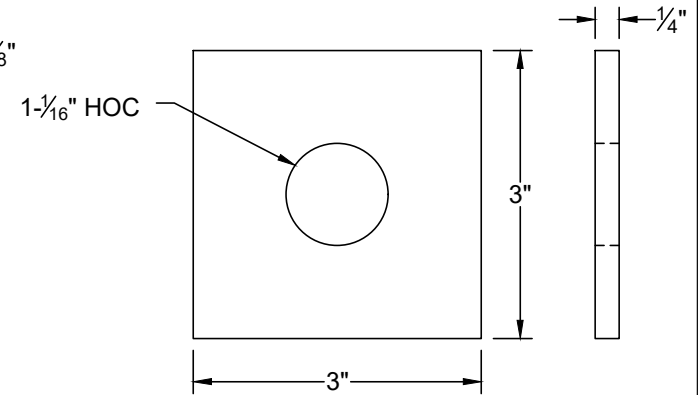
- (4) CARRIAGE BOLTS
- (4) ANCHOR PLATES
- (4) BEARING WASHERS
- (12) HEAVY HEX NUTS
- (8) HARDENED FLAT WASHERS



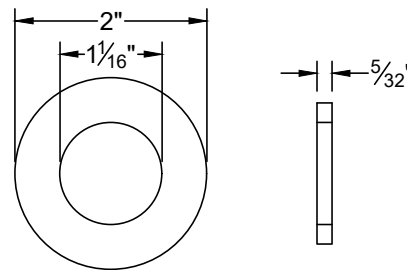
**CARRIAGE BOLT**  
ASTM F1554 GRADE 55  
GALV. PER ASTM F2329 AND A153



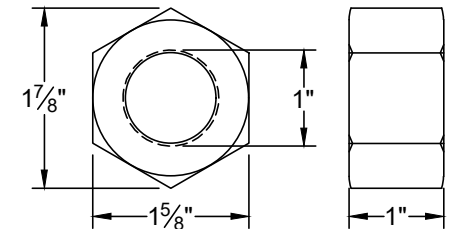
**ANCHOR PLATE**  
ASTM A514



**BEARING WASHER**  
ASTM A36  
GALV. PER ASTM F2329 AND A153



**HARDENED FLAT WASHER**  
ASTM F436  
GALV. PER ASTM F2329 AND A153



**HEAVY HEX NUT**  
ASTM A194 GRADE 2H  
GALV. PER ASTM F2329 AND A153

© Copyright 2023 ReCon Wall Systems, Inc. All Rights Reserved

Disclaimer: This drawing has been prepared by ReCon Wall Systems, Inc. and to the best of its knowledge, accurately represents the product use in the application that it is illustrated. This drawing is intended for conceptual purposes only. Anyone making use of this drawing does so at their own risk and assumes all liability for such use. Final design for construction purposes must be completed by a Registered Professional Engineer who is familiar with the product and who has taken into account specific site conditions.



**DRAWING #5016**

**1" LPB  
INSTALLATION HARDWARE**

LPB - A DIVISION OF RECON  
11521 EAGLE ST NW, SUITE 3  
COON RAPIDS, MN 55448  
612.440.4764  
www.lightpolebase.com